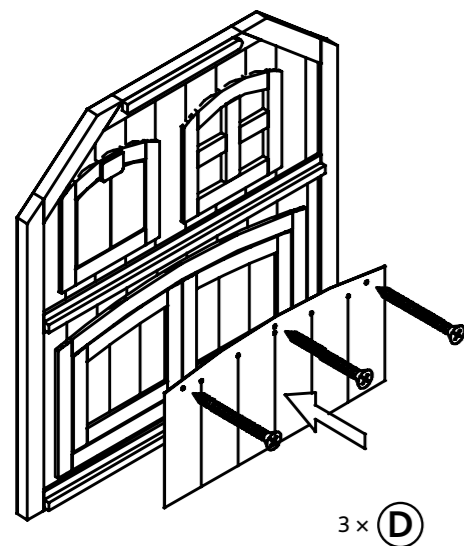


Pos.	Description		Measurement	Quantity	Item
1	Front part		674 × 687 × 25 mm	1	44095-10
2	Back wall		674 × 687 × 25 mm	1	44095-20
3	Side panel, left		520 × 750 × 25 mm	1	44095-30
4	Side panel, right		520 × 750 × 25 mm	1	44095-40
5	Roof part, left		249 × 580 × 25 mm	1	44095-50
6	Roof part, middle		450 × 580 × 25 mm	1	44095-51
7	Roof part, right		249 × 580 × 25 mm	1	44095-52
8	Floor parts, bottom and top		335 × 471 × 15 mm	3	44095-60
9	Upper floor part, right		335 × 471 × 15 mm	1	44095-61
10	Step		337 × 220 × 15 mm	1	44095-70
11	Holder for step		110 × 110 × 25 mm	1	44095-71
12	Porch		634 × 300 × 15 mm	1	44095-80
13	Stands		220 × 30 × 30 mm	2	44095-81
14	Plastic cover		480 × 240 × 20 mm	1	44095-85

Pos.	Description		Size	Quantity	Item
A	Countersunk screw		∅ 4 × 50 mm	8+1	44095-90
B	Countersunk screw		∅ 4 × 35 mm	8+1	
C	Countersunk screw		∅ 4 × 30 mm	7+1	
D	Countersunk screw		∅ 4 × 30 mm	7+1	
E	Hinge, for roof		7.6 cm	2	6235-74

USA Made in China.  
M Hecho en China.

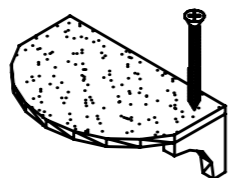
First screw the plastic cover (14) to the inner side of the front part (1).



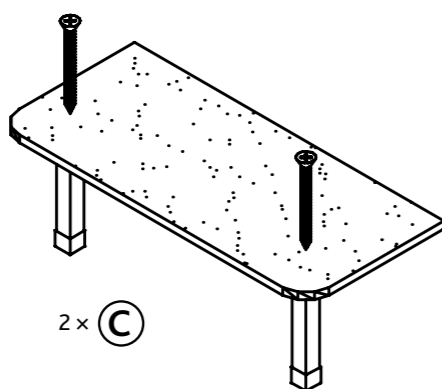
1.

Screw the step (10) to the holder (11).

1 x C



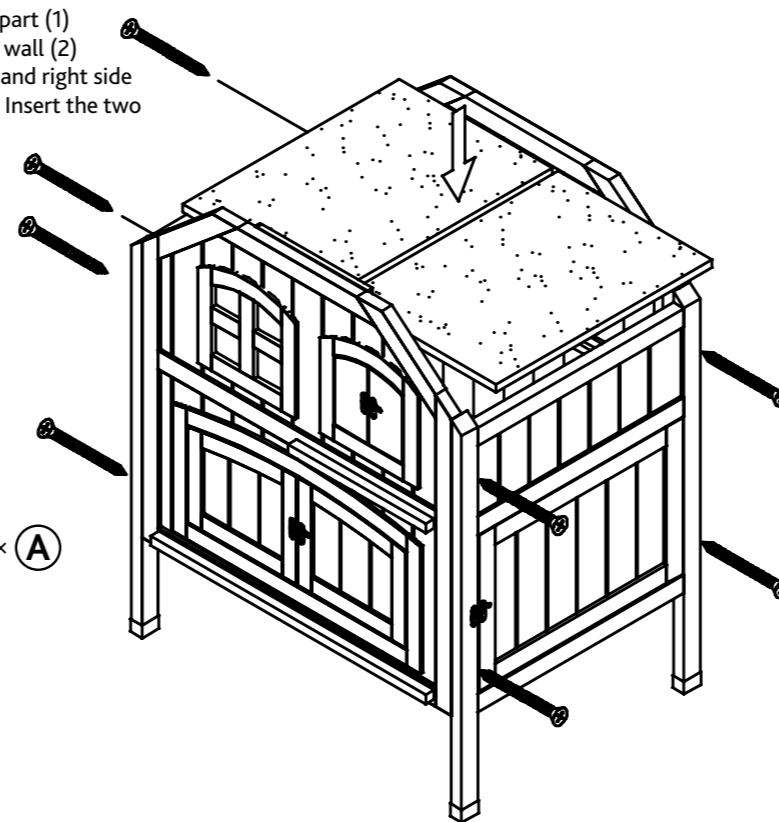
Mount the stands (13) to the porch (12).



2 x C

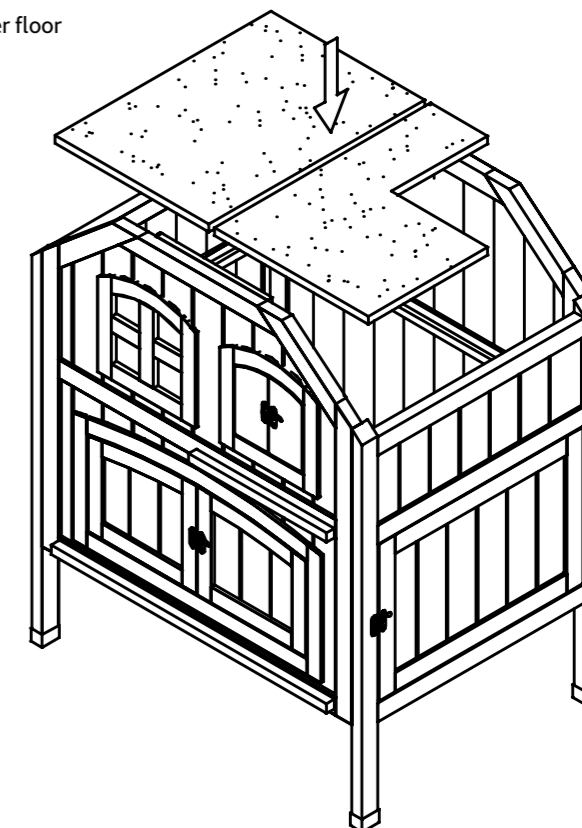
Fix the front part (1) and the back wall (2) with the left and right side panels (3/4). Insert the two lower floor parts (8).

8 x A



2.

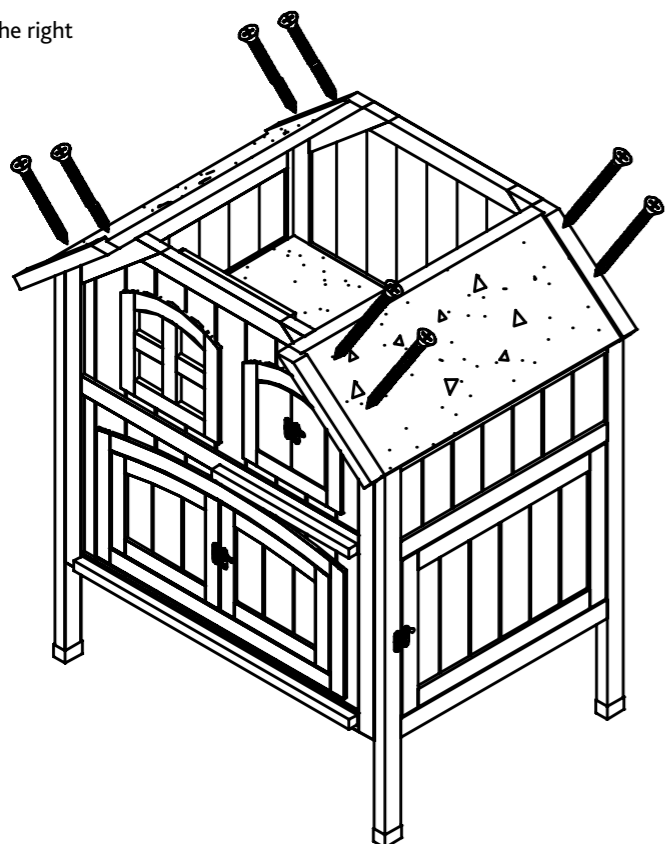
Now insert the upper floor parts (8/9).



3.

Mount the left and the right roof parts (5/7).

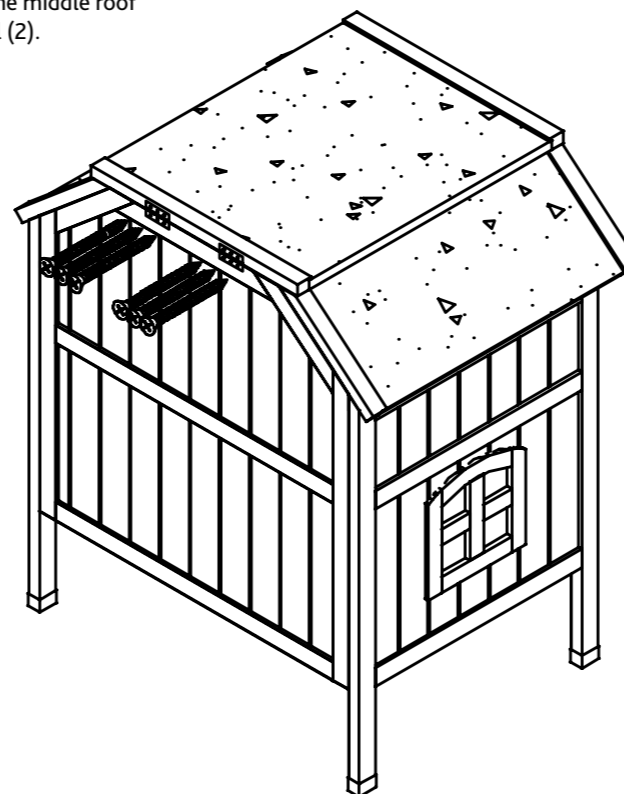
8 x B



4.

Screw the hinges to the middle roof part (6) and back wall (2).

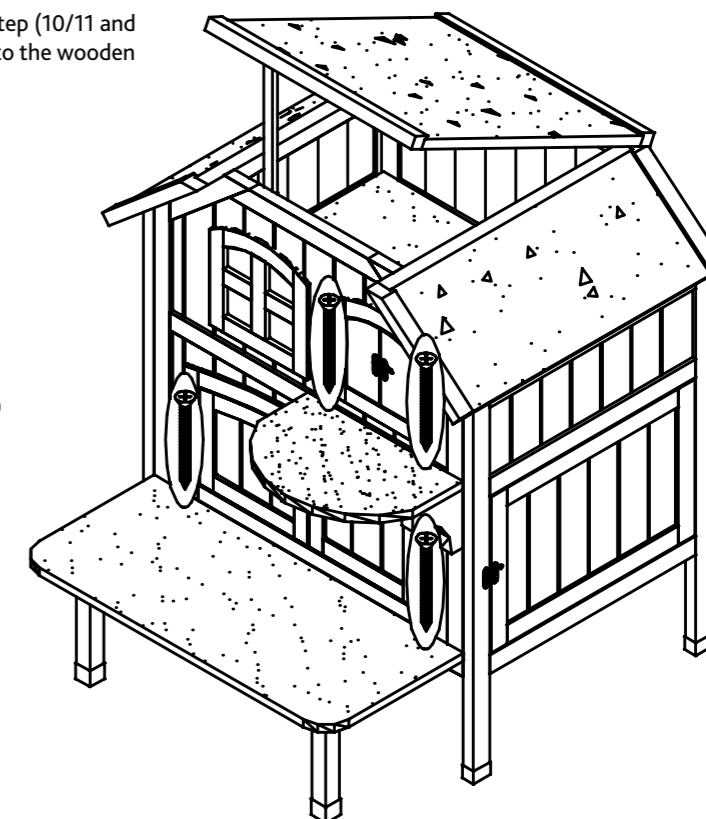
6 x D



5.

Finally fix the step (10/11) and the porch (12) to the wooden cat home.

4 x C



6.