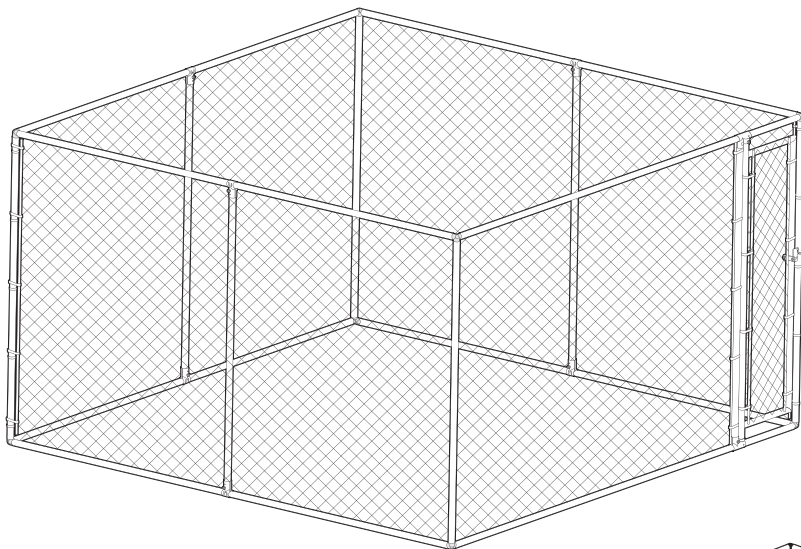




2-in-1 Dog Kennel

Assembly Instructions

Please read this entire guide before assembly



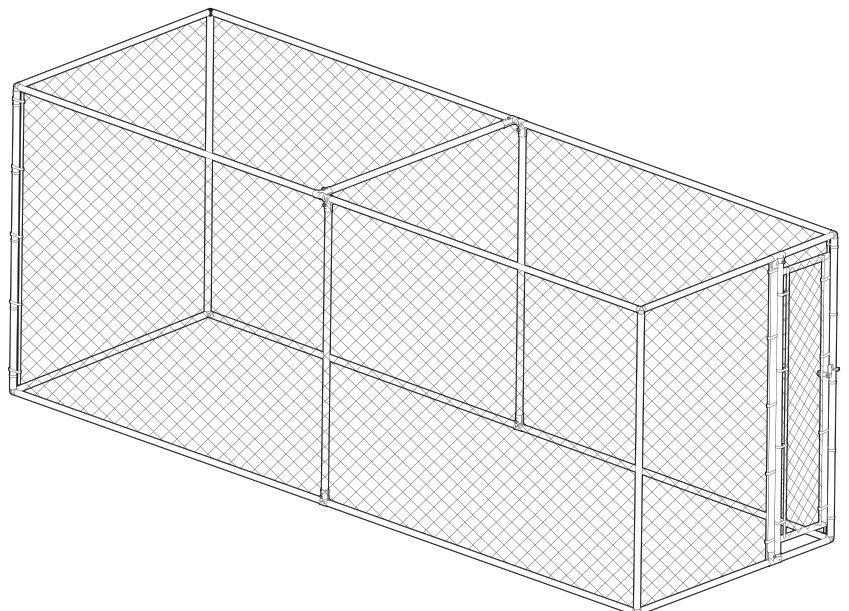
HBK11-12009

Option 1 - 10'(W) x 10'(L) x 6'(H)

Option 2 - 5'(W) x 15' (L) x 6'(H)

Option 1 - Dog Kennel

Option 2 - Dog Run



Important Safety Information

Explanation of Attention Words and Symbols used in this guide



This is the safety alert symbol. It is used to alert you to potential personal injury hazards. Obey all safety messages that follow this symbol to avoid possible injury or death.

⚠ WARNING

WARNING indicates a hazardous situation which, if not avoided, could result in death or serious injury.

⚠ CAUTION

CAUTION used *with* the safety alert symbol, indicates a hazardous situation which, if not avoided, could result in minor or moderate injury.

CAUTION

CAUTION used *without* the safety alert symbol, indicates a hazardous situation which, if not avoided, could result in harm to your pet.

NOTICE

NOTICE is used to address safe use practices not related to personal injury.

⚠ WARNING

- Not for use with aggressive dogs. Do not use this product if your dog is aggressive, or if your dog is prone to aggressive behavior. Aggressive dogs can cause severe injury and even death to their owner and others.
- If you are unsure whether this product is appropriate for your dog, please consult your veterinarian or certified trainer.
- Risk of Injury. Do not climb on or play around a kennel. It is not a toy or playground.

⚠ CAUTION

- Chain link fabric roll is heavy. A helper is recommended.
- Use care when handling steel tubes as they may have sharp edges.
- Wire ends may be sharp.
- Pinching may occur during fabric installation. Work gloves are recommended.

CAUTION

- Pet may escape or become trapped in loose chain link fabric. Be sure that the fabric is stretched tightly and securely. If properly stretched, there should not be any slack in the fabric.
- Make sure your pet has water at all times.
- Do not kennel a dog outside in hot or cold weather without other shelter.

NOTICE

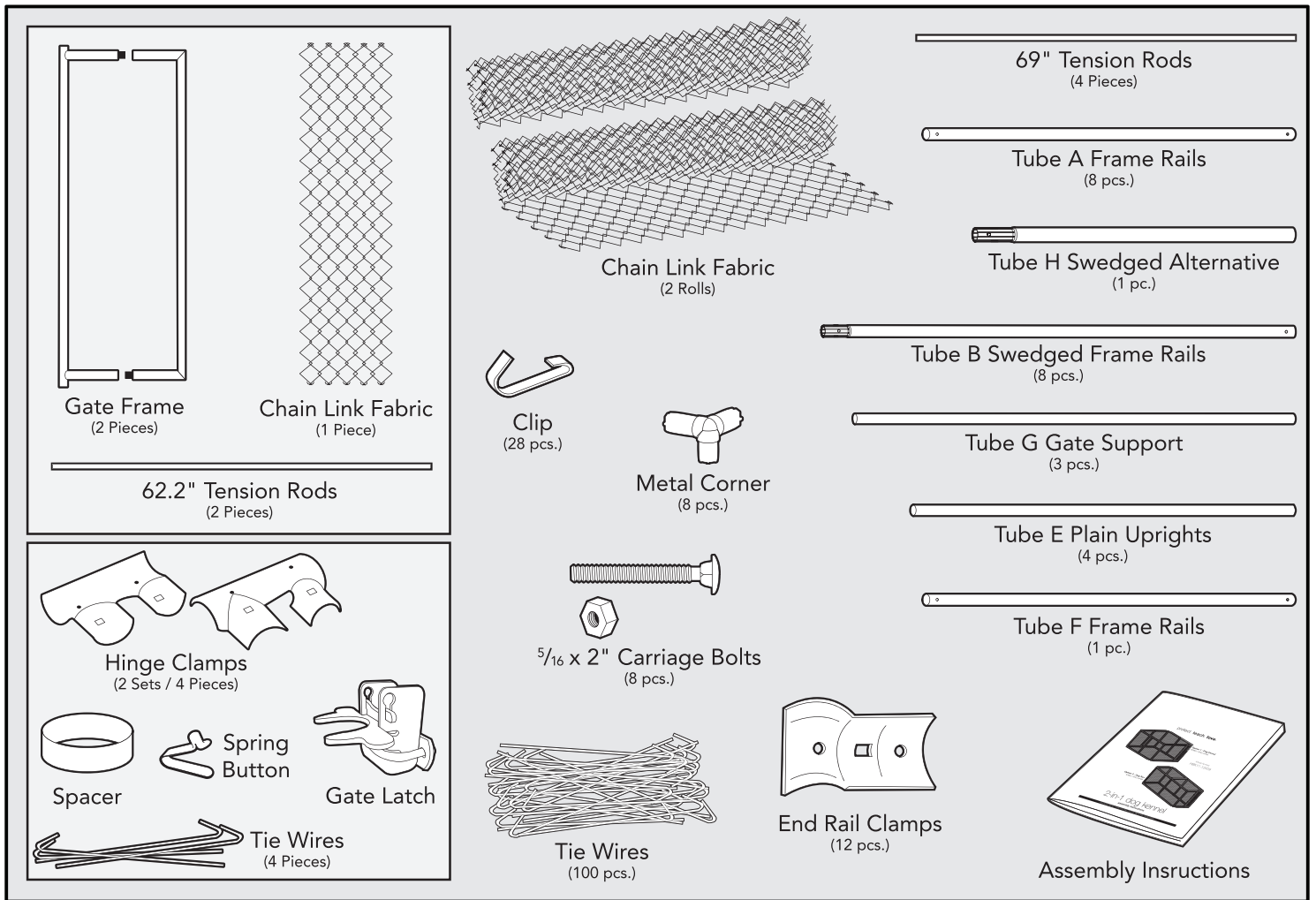
- If your area is subject to heavy snow, it is recommended that you remove the Kennel Top during the winter months. Heavy snow can collapse the kennel resulting in damage and injury.
- Kennel anchors are strongly recommended. FENCEMASTER Kennel System Anchor Kit sold separately.

Thank you for choosing **FENCEMASTER Kennel System**. Our mission is to be the most trusted brand in the pet ownership experience. We want to ensure your pet's safety by providing you with the tools and techniques to successfully train your pet. If you have questions, please contact the Customer Care Center at 800-451-2612.

Table of Contents

Components	4
Tools Needed	4
Connect the Bottom Frame	5
Complete Frame and Add Uprights	5
Install the Gate Post and Gate	6
Add Fence fabric.....	7
Stretch the Fabric	7
Cut the Fabric.....	8
Completing Fabric Installation	8
Secure the Fabric.....	8
Getting Your Dog Comfortable In His Kennel.....	9
Caution.....	9
Terms of Use and Limitation of Liability.....	9

Components



Tools Needed

- Hammer
- Adjustable Wrench
- Pliers
- Tape Measure

Approximate assembly time: 1 hour

Step 1 Connect the Bottom Frame

1

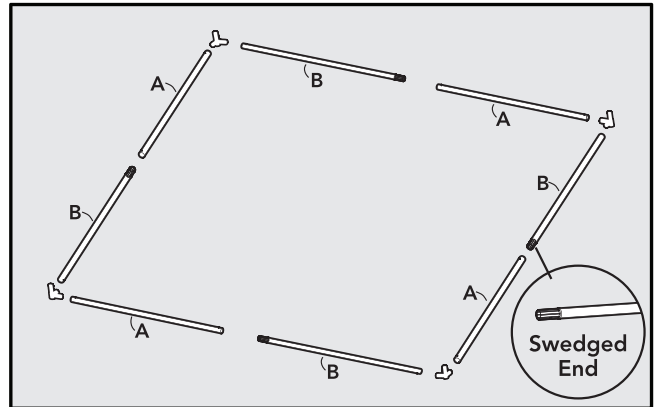
Important: Assemble on a level surface.

Gather (Quantity):

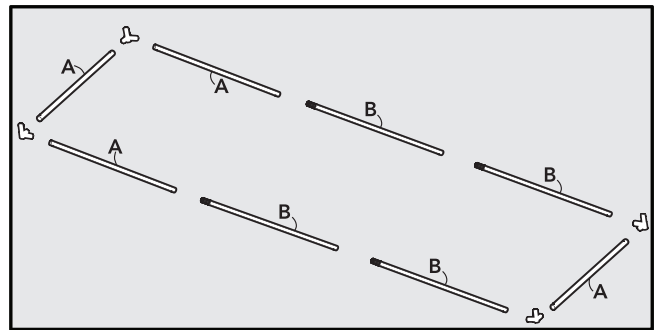
- (4) Corner Connectors
- (4) Tube A
- (4) Tube B

1. Begin at any corner. Assemble corner connector to tube B. Press button on connector and insert into tube ensuring that the hole in the tube lines up with the button on the connector. It should lock into place. Slip swedged ends of the tubing into the next piece of tubing.
2. Assemble tube A to tube B. Continue assembling connectors and tubes. (See Diagram)

Option 1 - Dog Kennel
10'(W)x10'(L)x6'(H)



Option 2 - Dog Run
5'(W)x15'(L)x6'(H)



Step 2 Complete Frame and Add Uprights

2

Gather (Quantity):

- (4) Tube A
- (4) Tube B
- (4) Tube E
- (4) Corner Connectors

1. Connect tube E to each of the bottom corner connectors. (See Diagram)
2. Insert corner connector to each tube E.
3. Assemble tube A + B around top to make the frame.

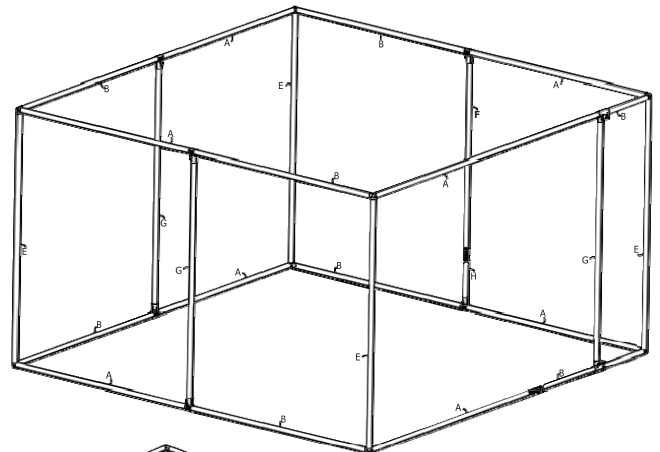
Gather (Quantity):

- (2) Tube G
- (1) Tube F
- (1) Tube H
- (12) End Rail Clamps
- (6) Carriage Bolts and nuts

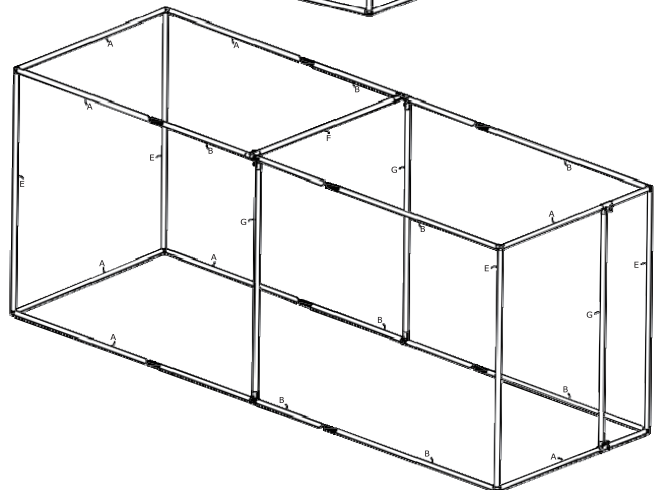
Note: Tube placement shown in diagrams

4. With nut on the outside; clamp Tube G to the top and bottom frame rails.
5. For Option 1 – 10x10x6: use Tubes F and H together as shown in diagram.
For Option 2 – 5x15x6: use Tube F as shown in diagram. Tube H will not be used.

Option 1 - Dog Kennel
10'(W)x10'(L)x6'(H)



Option 2 - Dog Run
5'(W)x15'(L)x6'(H)



Install the Gate Post and Gate

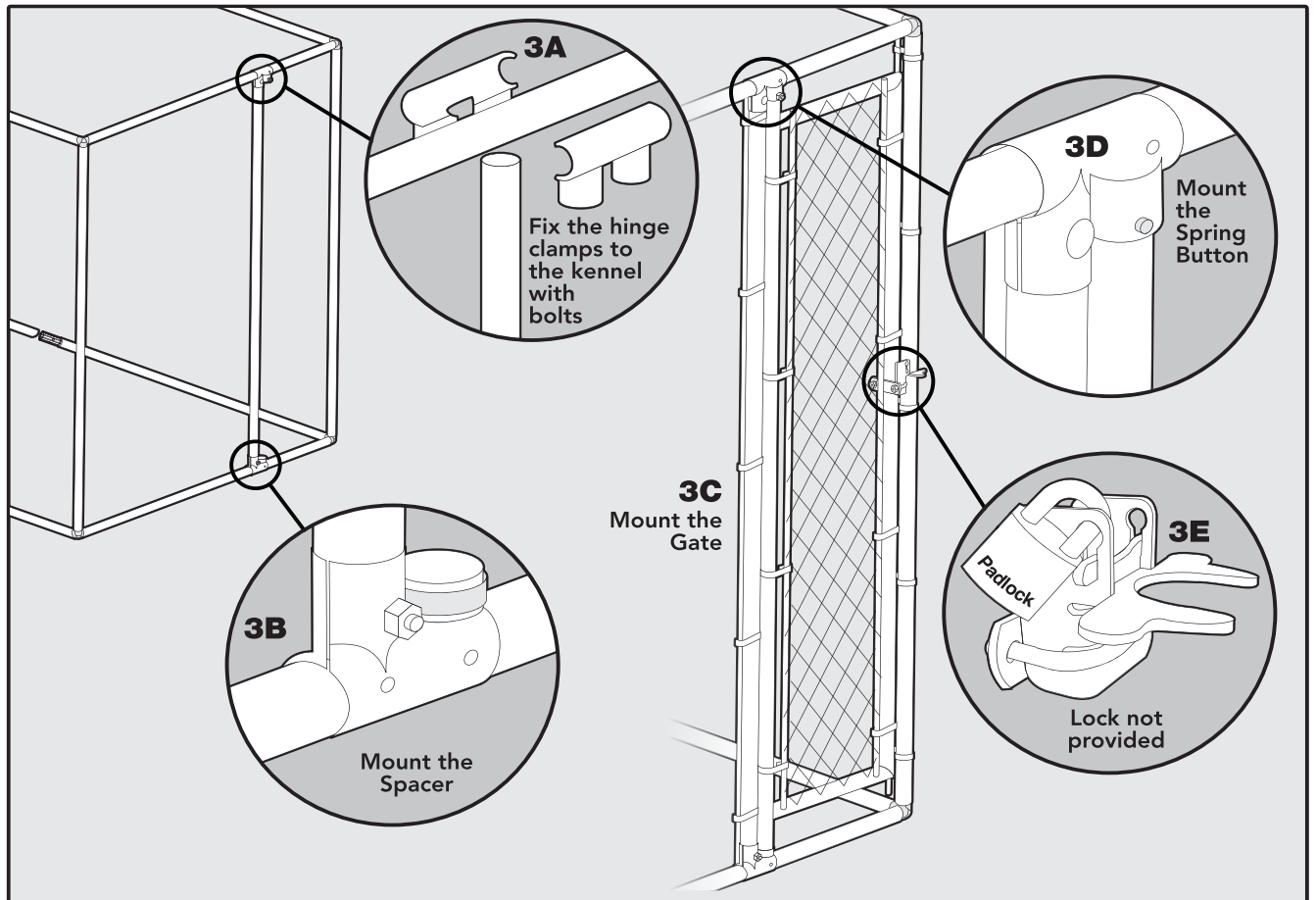
Gather (Quantity):

- (8) Clips
- (2) Gate Frame halves
- (1) Gate Chain Link Fabric
- (4) Tie Wires

1. Assemble Gate Frame halves together.
2. Slide tension bar into Chain Link and attach to one side of Gate Frame with 4 clips.
3. Slide tension bar into Chain Link, pull Chain Link tight, and attach to other side of Gate Frame with 4 Clips.
4. Secure the fabric with 4 tie wires. See Step 8 for details.

Gather (Quantity):

- (1) Tube G
 - (2) Hinge clamp sets
 - (2) Carriage Bolts and nuts
 - (1) Spacer
 - (1) Spring Button
5. Install Tube G 22¼ inches (57cm) on either side of the corner upright (Tube E). With the nut on the outside, clamp Tube G to the top and bottom frame rails with Hinge Clamps and Carriage Bolts (3A).
 6. Check that Tube G is straight up and down. Confirm that all nuts are tight.
 7. Mount Spring Button into top Hinge Clamp. Secure gate between spring button and spacer (3D).
 8. Add spacer over bottom Hinge Clamp (3B).
 9. Mount gate into Hinge Clamps, sliding up into top clamp, then down over bottom clamp with spacer (3C).
 10. Install Gate Latch 3 feet (1m) from ground (3E).



Note: The Gate Latch can be locked.

Add Fence Fabric

4

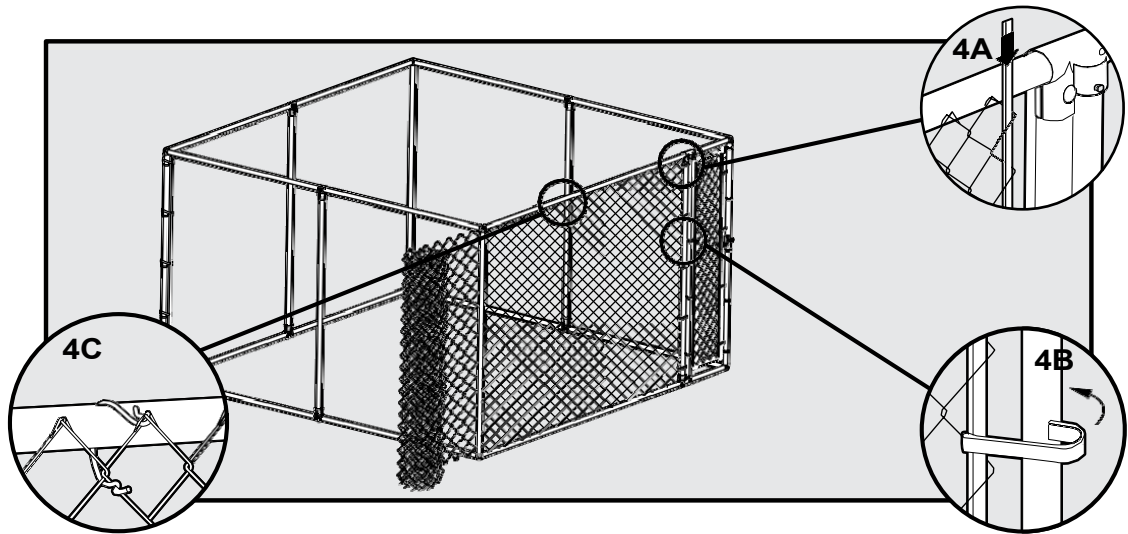
Gather (Quantity):

- (5) Clips
- Package of Tie Wires
- Roll of Chain Link Fabric

1. Unpack the chain link fabric rolls. Remove all binding materials.
2. Spread one chain link fabric roll flat on a level surface. Inspect that the wire ends are closed and tangle free.
3. Insert tension rod through the first diamonds of the fabric (4A).
4. Starting on the side opposite of the tension rod, carefully roll chain link fabric towards the tension rod.

CAUTION Chain link fabric is strong and stiff and the roll is heavy, so a helper is recommended.

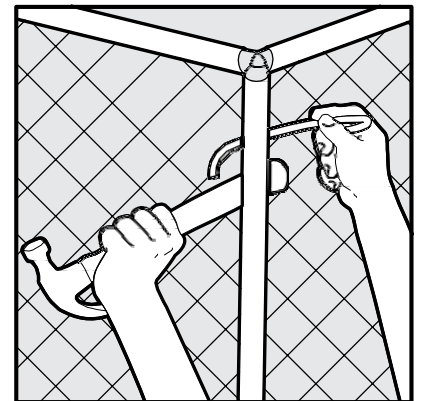
5. Start at a post next to the gate.
6. Connect the fabric to the gatepost by clipping the tension rod to the post (4B). Secure all 5 clips.
7. Unroll the fabric around two sides of the dog kennel. Loosely add a tie wire to the top frame about every 6 feet (1.8m) to keep the fabric from falling down (4C).



Stretch the Fabric

5

1. Starting from the first post away from the gate, use a hammer to stretch the fabric as shown.
2. Stretch fabric as tightly as possible. Add tie wires to posts to hold the stretched fabric. *Important: Be sure all tie wires are on the same picket (wire) or the fabric will be crooked.*
3. Stretch and tie to the next post, until you go all the way around. Don't tie the last post (at the gate).



Cut the Fabric

Gather(Quantity):

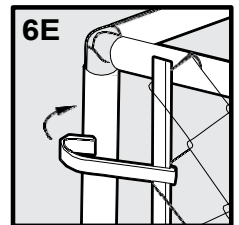
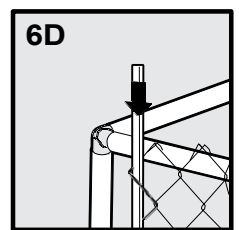
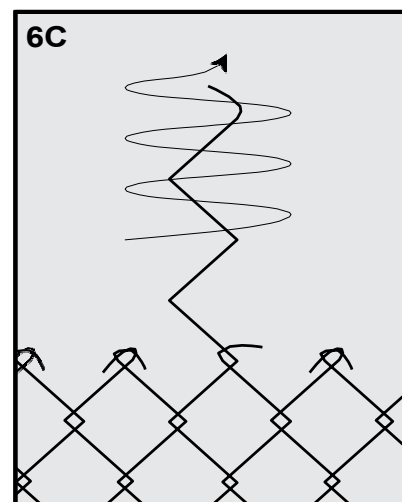
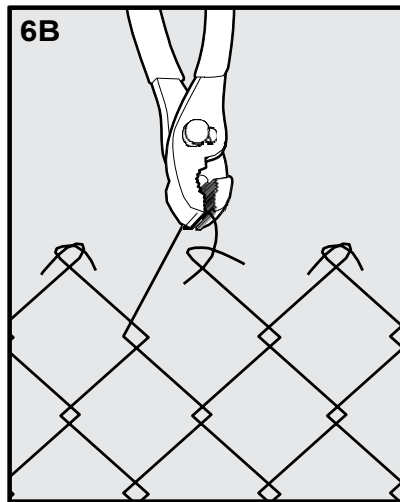
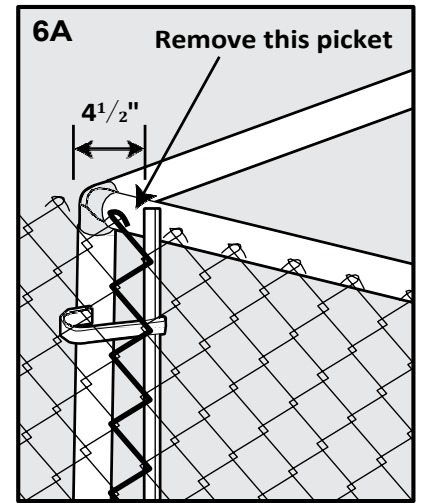
- (5) Clips
- (1) Tension rod

1. Stretch the fabric as tightly as possible to the corner post and select a fabric wire to cut, allowing 4 inches (10 cm) for the tension rod and clips (6A).
2. Cut the fabric by holding the fabric loosely while you spin one of the pickets out.
 - a. Undo the knuckle at the top and the knuckle at the bottom of the same picket (6B).
 - b. Unweave that picket by spinning it out (6C).

CAUTION Wire ends may be sharp.

- c. Install the tension rod (6D) and 5 clips (6E).

CAUTION Pinching may occur during fabric installation. Work gloves are recommended.



Completing Fabric Installation

Repeat Steps 5-6 using the second roll of fence fabric. Start again at the other gate post. You will use the remaining tension rods and 10 clips to complete these steps

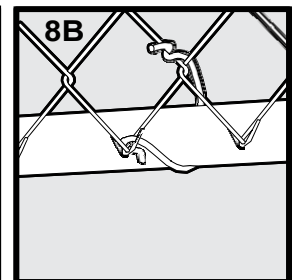
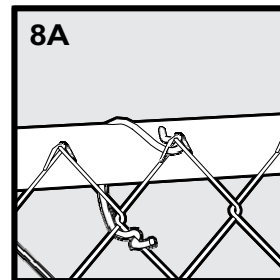
Secure the Fabric

Beginning at the gate opening, attach a tie wire to every 3rd diamond around the top (8A) and every 5th diamond around the bottom (8B) of the kennel. Use any extra tie wires around the bottom for extra security.

Note: Attaching tie wires around the bottom is easier if you temporarily raise the bottom of the kennel onto bricks, blocks of wood, or the box that the kennel came in.

Important: Please, for your pets safety, train your pet to become accustomed to his new home. Consult a professional for help.

CAUTION Pet may escape or become trapped in loose chain link fabric. Be sure that the fabric is stretched tightly and securely. If properly stretched, there should not be any slack in the fabric.



Getting Your Dog Comfortable In His Kennel

A bit of effort on your part can go a long way to ensure your dog adjusts well to his new kennel. Taking the time to introduce your dog to life in the kennel will lead to a better experience for both you and your pet.

Kennel familiarization may take several days or even weeks, depending on your dog's age, temperament, and past experiences. It's important to keep two things in mind while kennel training: The dog kennel should always be associated with something pleasant, and training should take place in a series of small steps. Don't go too fast!

First, introduce your dog to the kennel by placing a favorite toy, blanket or beloved object into the kennel. Make sure the kennel door is open and secured so that it won't hit or frighten your dog. To encourage your dog to enter the kennel, try dropping some small food treats nearby, then just inside the door, and finally, all the way inside of the kennel. If he refuses to go all the way in the kennel at first, that's okay, don't force the issue. If he isn't interested in treats, try tossing a favorite toy in the kennel. Don't expect instant results, this process may take several days.

When he enters the kennel, offer enthusiastic verbal praise. Quietly close the gate and secure it. Never slam the gate after your dog enters. He should regard his kennel as a safe place rather than a punitive time-out area.

For best results, introduce your pet to his new kennel enclosure for brief periods over time. Stay nearby. Some pets may try to bite or chew the enclosure; some may try to climb out. Your pet may bark or whine. Verbally reassure him. Increase the length of time he is contained until you believe he's comfortable in his new kennel.

Pet toys and other familiar objects can be reassuring to our pet, and help to pass the time while he's contained. Consult your veterinarian or other pet professional to make your pet's transition to the kennel as stress-free as possible.

CAUTION

- Make sure your pet has water at all times.
- Do not kennel a dog outside in hot or cold weather without other shelter.

Caution

While this product is a solid barrier, **FENCE MASTER Kennel System** CANNOT guarantee that the kennel will, in all cases, keep a pet within the established boundary. Not all pets can be trained for containment. Therefore, if you have reason to believe that your pet may pose a danger to others or harm himself if he is not kept from exiting the product, you should NOT rely solely upon the **FENCE MASTER Kennel System** to contain your pet. **FENCE MASTER Kennel System** shall NOT be liable for any property damage, economic loss or any consequential damages sustained as a result of any animal exiting the system. If you are unsure whether this is appropriate for your pet, please consult your veterinarian or certified trainer. This product is designed for use with pets only.

Terms of Use and Limitation of Liability

1. Terms of Use

This Product is offered to you conditioned upon your acceptance without modification of the terms, conditions and notices contained herein. Usage of this Product implies acceptance of all such terms, conditions, and notices.

2. Proper Use

This Product is designed for use with pets where training is desired. The specific temperament of your pet may not work with this Product. If you are unsure whether this is appropriate for your pet, please consult your veterinarian or certified trainer.

3. No Unlawful or Prohibited Use

This Product is designed for use with pets only. This pet training device is not intended to harm, injure or provoke. Using this Product in a way that is not intended could result in violation of Federal, State or local laws.

4. Limitation of Liability

In no event shall Stephens Pipe & Steel, LLC be liable for any direct, indirect, punitive, incidental, special or consequential damages, or any damages what so ever arising out of or connected with the use or misuse of this Product. Buyer assumes all risks and liability from the use of this product.

5. Modification of Terms and Conditions

Stephens Pipe & Steel, LLC reserves the right to change the terms, conditions and notices under which this Product is offered.

Stephens Pipe & Steel, LLC
FENCEMASTER Kennel System
2151 N Main St
Jamestown, KY 42629
1-800-451-2612
L400-1653/1
2015 Stephens Pipe & Steel, LLC